



www.FGWilson.com

P35-3S



Image for illustration purposes only.

Output Ratings

Generating Set Model	Prime*	Standby*
220-240V, 50 Hz	32.0 kVA / 32.0 kW	35.0 kVA / 35.0 kW
240/120V, 60 Hz	36.0 kVA / 36.0 kW	40.0 kVA / 40.0 kW

Ratings at 1.0 power factor.

Prime Rating

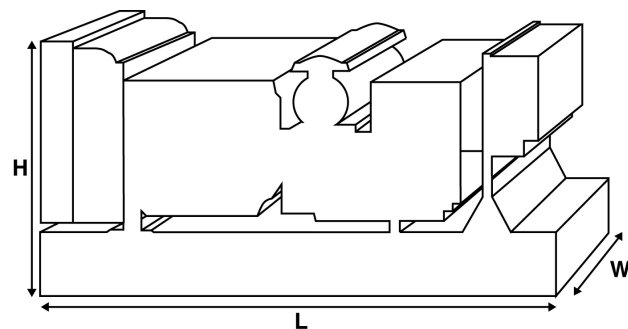
These ratings are applicable for supplying continuous electrical power (at variable load) in lieu of commercially purchased power. There is no limitation to the annual hours of operation and this model can supply 10% overload power for 1 hour in 12 hours.

Standby Rating

These ratings are applicable for supplying continuous electrical power (at variable load) in the event of a utility power failure. No overload is permitted on these ratings. The alternator on this model is peak continuous rated (as defined in ISO 8528-3).

Standard Reference Conditions

Note: Standard reference conditions 25°C (77°F) Air Inlet Temp, 100m (328 ft) A.S.L. 30% relative humidity.
Fuel consumption data at full load with diesel fuel with specific gravity of 0.85 and conforming to BS2869: 1998, Class A2.



Ratings and Performance Data

Engine Make & Model:	Perkins 1104A-44G	
Alternator manufactured for FG Wilson by:	Leroy Somer	
Alternator Model:	LL2014H	
Control Panel:	1002T	
Base Frame:	Fbc2 - (08Hr)	
Circuit Breaker Type:	3 Pole MCCB	
Frequency:	50 Hz	60 Hz
Engine Speed: RPM	1500	1800
Fuel Tank Capacity: litres (US gal)	219 (57.9)	
Fuel Consumption: l/hr (US gal/hr) (100% Load)	Prime	Standby
	13.0 (3.4)	16.0 (4.2)
	14.5 (3.8)	18.9 (5.0)

Available Options

- I CE Certification
- I Sound Attenuated EC Enclosures
- I Control Panel Upgrades
- I Range of Silencers
- I Range of Remote Fuel Systems
- I Range of Alarms and Shutdowns

Dimensions and Weights

Length (L) mm (in)	Width (W) mm (in)	Height (H) mm (in)	Dry kg (lb)	Wet kg (lb)
1925 (75.8)	1120 (44.1)	1361 (53.6)	959 (2114)	1023 (2255)

Dry = With Lube Oil

Wet = With Lube Oil and Coolant

Ratings in accordance with ISO 8528, ISO 3046, IEC 60034, BS5000 and NEMA MG-1/22. Generating set pictured may include optional accessories.

3Tech Corporate Limited

Unit 904, 9/F., Fu Hang Industrial Building,

1 Hok Yuen Street East, Hung Hom,

Kowloon, Hong Kong.

Tel: +852-2766 9787 Fax: +852-2766 9774

Email:sales@3tech.net

Headquarters: Hong Kong China: Beijing, Dongguan, Shenzhen, Xiamen
Overseas: Nigeria, D.R.Congo, Ghana, Kenya, Tanzania, Pakistan, USA, Canada, France



Engine Technical Data

No. of Cylinders / Alignment:	4 / In Line	
Cycle:	4 Stroke	
Bore / Stroke: mm (in)	105.0 (4.1)/127.0 (5.0)	
Induction:	Naturally Aspirated	
Cooling Method:	Water	
Governing Type:	Mechanical	
Governing Class:	ISO 8528 G2	
Compression Ratio:	19.25:1	
Displacement: l (cu. in)	4.4 (268.5)	
Moment of Inertia: kg m² (lb/in²)	1.14 (3896)	
Engine Electrical System:		
- Voltage / Ground	12/Negative	
- Battery Charger Amps	65	
Weight: kg (lb)	- Dry	445 (981)
	- Wet	465 (1025)

Performance

	50 Hz	60 Hz
Engine Speed: rpm	1500	1800
Gross Engine Power: kW (hp)		
- Prime	40.5 (54.0)	48.6 (65.0)
- Standby	45.0 (60.0)	54.0 (72.0)
BMEP: kPa (psi)		
- Prime	736.0 (106.8)	736.0 (106.8)
- Standby	818.0 (118.7)	818.0 (118.7)

Fuel System

Fuel Filter Type:	Replaceable Element			
Recommended Fuel:	Class A2 Diesel			
Fuel Consumption: l/hr (US gal/hr)				
	110%	100%	75%	50%
Prime	Load	Load	Load	Load
50 Hz	14.5 (3.8)	13.0 (3.4)	8.8 (2.3)	6.4 (1.7)
60 Hz	18.9 (5.0)	16.0 (4.2)	10.2 (2.7)	7.6 (2.0)
	110%	100%	75%	50%
Standby	Load	Load	Load	Load
50 Hz	14.5 (3.8)	9.6 (2.5)	6.8 (1.8)	
60 Hz	18.9 (5.0)	11.2 (3.0)	8.1 (2.1)	

(Based on diesel fuel with a specific gravity of 0.84 and conforming to BS2869, Class A2)

Air Systems

	50 Hz	60 Hz
Air Filter Type:	Replaceable Element	
Combustion Air Flow: m³/min (cfm)		
- Prime	2.8 (99)	3.4 (120)
- Standby	2.8 (99)	3.4 (120)
Max. Combustion Air Intake Restriction: kPa (in H₂O)		
	6.6 (26.5)	6.6 (26.5)

Cooling System

	50 Hz	60 Hz
Cooling System Capacity: l (US gal)	12.8 (3.4)	12.8 (3.4)
Water Pump Type:	Centrifugal	
Heat Rejected to Water & Lube Oil:		
kW (Btu/min)	- Prime	24.6 (1399)
	- Standby	27.4 (1558)
		30.7 (1746)
		31.0 (1763)
Heat Radiation to Room: Heat radiated from engine and alternator		
kW (Btu/min)	- Prime	8.0 (455)
	- Standby	9.0 (512)
		8.0 (455)
Radiator Fan Load: kW (hp)	0.5 (0.7)	0.9 (1.2)
Radiator Cooling Airflow: m³/min (cfm)	74.4 (2627)	97.8 (3454)
External Restriction to Cooling Airflow: Pa (in H₂O)		
	120 (0.5)	120 (0.5)

Cooling system designed to operate in ambient conditions up to 50°C (122°F). Contact your local FG Wilson Dealer for power ratings at specific site conditions.

Lubrication System

Oil Filter Type:	Spin-On, Full Flow	
Total Oil Capacity: l (US gal)	8.0 (2.1)	
Oil Pan: l (US gal)	7.8 (2.1)	
Oil Type:	API CG4 / CH4 15W-40	
Oil Cooling Method:	Water	

Exhaust System

	50 Hz	60 Hz
Silencer Type:	Industrial	
Silencer Model & Quantity:	SD80 (1)	
Pressure Drop Across Silencer System: kPa (in Hg)		
	0.24 (0.071)	0.56 (0.165)
Silencer Noise Reduction Level: dB	18.2	16.5
Maximum Allowable Back Pressure: kPa (in Hg)		
	12.0 (3.5)	15.0 (4.4)
Exhaust Gas Flow: m³/min (cfm)		
	- Prime	9.0 (318)
	- Standby	10.0 (353)
		12.0 (424)
		13.0 (459)
Exhaust Gas Temperature: °C (°F)		
	- Prime	610 (1130)
	- Standby	621 (1150)
		660 (1220)

Alternator Physical Data	
Manufactured for FG Wilson by:	Leroy Somer
Model:	LL2014H
No. of Bearings:	1
Insulation Class:	H
Winding Pitch Code:	2/3 - 6
Wires:	12
Ingress Protection Rating:	IP23
Excitation System:	SHUNT
AVR Model:	R250

Alternator Operating Data	
Overspeed: rpm	2250
Voltage Regulation: (Steady state)	+/- 0.5
Wave Form NEMA = TIF:	50
Wave Form IEC = THF:	2.0%
Total Harmonic content LL/LN:	4.0%
Radio Interference:	Suppression is in line with European Standard EN61000-6
Radiant Heat: kW (Btu/min)	
- 50 Hz	6.1 (347)
- 60 Hz	8.3 (472)

Alternator Performance Data:	50 Hz			60 Hz	
	240V	230V	220V	220V/110V	240V/120V
Motor Starting Capability* kVA	130	122	115	101	114
Short Circuit Capacity** %	-	-	-	-	-
Reactances: Per Unit					
Xd	1.510	1.650	1.800	2.220	2.430
X'd	0.100	0.110	0.120	0.140	0.160
X''d	0.048	0.053	0.058	0.071	0.078

Reactances shown are applicable to prime ratings.
 *Based on 30% voltage dip at 0.9 power factor.
 **With optional permanent magnet generator or AREP excitation.

Voltage Technical Data 50 Hz				
Voltage	Prime:		Standby:	
	kVA	kW	kVA	kW
240V	32.0	32.0	35.0	35.0
230V	32.0	32.0	35.0	35.0
220V	32.0	32.0	35.0	35.0

Voltage Technical Data 60 Hz				
Voltage	Prime:		Standby:	
	kVA	kW	kVA	kW
220V/110V	36.0	36.0	40.0	40.0
240V/120V	36.0	36.0	40.0	40.0

Documentation

A full set of operation and maintenance manuals and circuit wiring diagrams.

Generating Set Standards

The equipment meets the following standards: BS5000, ISO 8528, ISO 3046, IEC 60034, NEMA MG-1.22.

FG Wilson is a fully accredited ISO 9001 company.

Warranty

All prime equipment carries a one year manufacturer's warranty. Standby equipment, limited to 500 running hours per year, has a two year manufacturer's warranty. For details on warranty cover please contact your local Dealer, or visit our website: FGWilson.com.

Dealer contact details: