

The FG Wilson sound attenuated enclosures accompanying the Perkins 1300 Series-powered generating set range are the result of continuing research and development by our specialist acoustic engineers.

The CAE enclosure (available on 200 – 275 kVA products) is designed for operation in regions where compliance with EU noise legislation does not apply.

Alternatively, the CAEU enclosure (available on 200 – 275 kVA products only) reduces sound levels to comply with the stage 2 levels of the European Community Directive 2000/14/EC which became effective 3 January 2006.

Fully weatherproof, both enclosures incorporate internally mounted exhaust silencers and an extremely rugged construction means both will withstand the rough handling common on many construction sites. They are designed on modular principles with many interchangeable components permitting on-site repair.

Robust/Highly Corrosion Resistant Construction

- ▶ Stainless steel locks and hinges
- ▶ Zinc plated or stainless steel fasteners
- ▶ Body made from steel components treated with polyester powder coating

Excellent Access for Maintenance

- ▶ Two large doors on each side
- ▶ Radiator fill access plate
- ▶ Lube oil and cooling water drains piped to exterior of the enclosure

Security and Safety

- ▶ Control panel viewing window in a lockable access door
- ▶ Emergency stop push button (red) mounted on enclosure exterior
- ▶ Cooling fan and battery charging alternator fully guarded
- ▶ Fuel fill and battery can only be reached via lockable access doors
- ▶ Exhaust silencing system totally enclosed for operator safety

Transportability

- ▶ Tested and certified single point lifting facility
- ▶ Lifting points on baseframe

Optional Features

- ▶ Oil field type skid with dragging points and fork lift truck pockets



200 - 275
kVA Range



Modular
Acoustic Enclosure



3Tech Corporate Limited
Unit 904, 9/F., Fu Hang Industrial Building,
1 Hok Yuen Street East, Hung Hom,
Kowloon, Hong Kong.
Tel: +852-2766 9787 Fax: +852-2766 9774
Email: sales@3tech.net

Headquarters: Hong Kong China: Beijing, Dongguan, Shenzhen, Xiamen
Overseas: Nigeria, D.R.Congo, Ghana, Kenya, Tanzania, Pakistan, USA, Canada, France

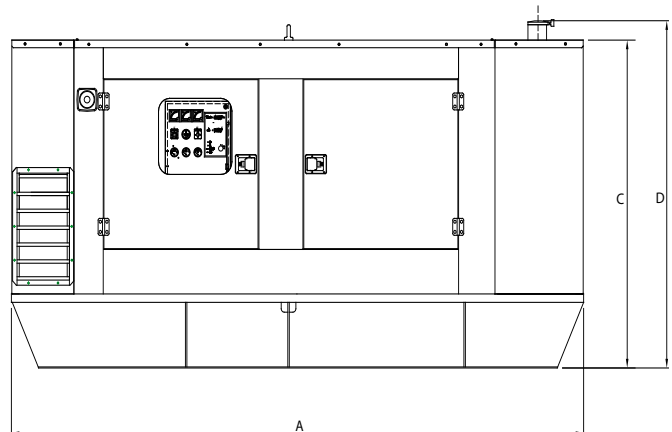
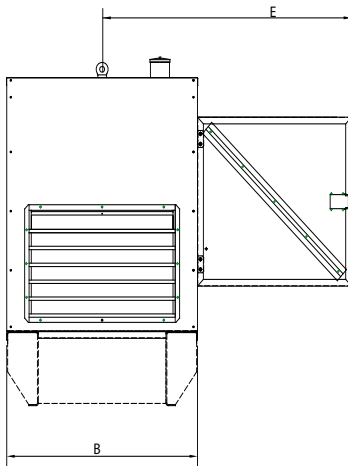


ISO 9001:2008
Certificate No. 194845



Sound Pressure Levels (dBA) for 200-275 kVA CAE Enclosure

Generating Set Model	50 Hz						60 Hz					
	15m (50ft)		7m (23ft)		1m (3ft)		15m (50ft)		7m (23ft)		1m (3ft)	
	75% Load	100% Load	75% Load	100% Load	75% Load	100% Load	75% Load	100% Load	75% Load	100% Load	75% Load	100% Load
P200H2	64.6	64.9	70.6	70.9	82.6	82.7	66.9	67.5	72.9	73.5	86.4	86.7
P220HE2	64.7	65.1	70.7	71.1	82.7	82.8	67.1	67.9	73.1	73.9	86.5	86.9
P230H2	64.8	65.1	70.8	71.1	82.7	82.8	67.0	67.8	73.0	73.8	86.5	86.8
P250HE2	64.9	65.2	70.9	71.2	82.7	82.8	67.2	68.2	73.2	74.2	86.6	87.0
P250H2	64.9	65.2	70.9	71.2	82.7	82.8	-	-	-	-	-	-
P275HE2	65.0	65.4	71.0	71.4	82.7	82.9	-	-	-	-	-	-



Dimensions and Weights for 200-275 kVA CAE Enclosure

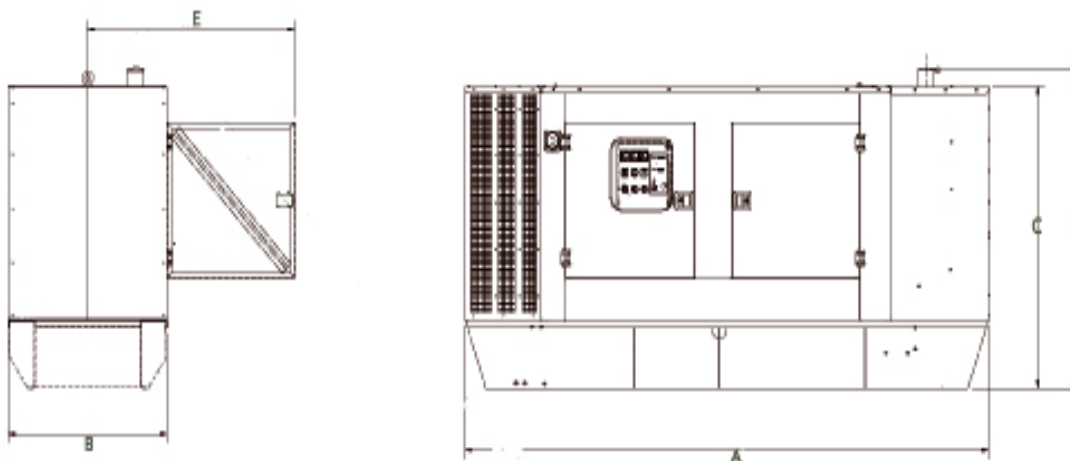
Generating Set Model	A: mm (in)	B: mm (in)	C: mm (in)	D: mm (in)	*E: mm (in)	Weight: kg (lb)	Fuel Capacity: l (US gal)
P200H2/P220HE2	3894 (153.3)	1300 (51.2)	1875 (73.8)	1996 (78.6)	1700 (66.9)	2944 (6490)	550 (145)
P230H2/P250HE2	3894 (153.3)	1300 (51.2)	1875 (73.8)	1996 (78.6)	1700 (66.9)	3029 (6678)	550 (145)
P250H2/P275HE2	3894 (153.3)	1300 (51.2)	1875 (73.8)	1996 (78.6)	1700 (66.9)	3094 (6821)	550 (145)

* Clearance required both sides; Weight with lube oil, no coolant, no fuel.

Sound Pressure Levels (dBA) for 200-275 kVA CAEU Enclosure

Generating Set Model	50 Hz						60 Hz					
	15m (50ft)		7m (23ft)		1m (3ft)		15m (50ft)		7m (23ft)		1m (3ft)	
	75% Load	100% Load	75% Load	100% Load	75% Load	100% Load	75% Load	100% Load	75% Load	100% Load	75% Load	100% Load
P200H2	63.4	64.0	69.4	70.0	79.2	79.9	66.9	67.2	72.9	73.2	85.4	85.7
P220HE2	63.6	64.2	69.6	70.2	79.3	80.4	67.0	67.4	73.0	73.4	85.4	85.8
P230H2	63.7	64.3	69.7	70.3	79.4	80.7	66.9	67.4	72.9	73.4	85.4	85.8
P250HE2	63.8	64.5	69.8	70.5	79.7	81.3	67.1	67.6	73.1	73.6	85.5	86.0
P250H2	63.8	64.5	69.8	70.5	79.7	81.3	-	-	-	-	-	-
P275HE2	64.0	64.7	70.0	70.7	80.1	82.3	-	-	-	-	-	-

Levels in accordance with European Noise Directive (2000/14/EC)



Dimensions and Weights for 200-275 kVA CAEU Enclosure

Generating Set Model	A: mm (in)	B: mm (in)	C: mm (in)	D: mm (in)	*E: mm (in)	Weight: kg (lb)	Fuel Capacity: l (US gal)
P200H2/P220HE2	4294 (169.1)	1300 (51.2)	1875 (73.8)	1996 (78.6)	1700 (66.9)	3035 (6691)	550 (145)
P230H2/P250HE2	4294 (169.1)	1300 (51.2)	1875 (73.8)	1996 (78.6)	1700 (66.9)	3120 (6878)	550 (145)
P250H2/P275HE2	4294 (169.1)	1300 (51.2)	1875 (73.8)	1996 (78.6)	1700 (66.9)	3185 (7022)	550 (145)

* Clearance required both sides; Weight with lube oil, no coolant, no fuel.



3Tech Corporate Limited
Unit 904, 9/F., Fu Hang Industrial Building,
1 Hok Yuen Street East, Hung Hom,
Kowloon, Hong Kong.
Tel: +852-2766 9787 Fax: +852-2766 9774
Email: sales@3tech.net

Headquarters: Hong Kong China: Beijing, Dongguan, Shenzhen, Xiamen
Overseas: Nigeria, D.R.Congo, Ghana, Kenya, Tanzania, Pakistan, USA, Canada, France



ISO 9001:2008
Certificate No.194845

