

The FG Wilson sound attenuated enclosures for the range of Perkins powered P550P5 to P750E5 generating sets are a result of continuing research and development by our specialist acoustic engineers.

These enclosures are fully weatherproof and incorporate internally mounted exhaust silencers. They are of extremely rugged construction in order to withstand rough handling conditions and are designed on modular principles with many interchangeable components permitting on-site repair.



550 - 750 kVA Generating Set Range

Robust/Highly Corrosion Resistant Construction

- ▶ Black finish stainless steel locks and hinges
- ▶ Zinc plated or stainless steel fasteners
- ▶ Body made from steel components treated with polyester powder coating

Excellent Access for Maintenance

- ▶ Two large doors on each side
- ▶ Radiator fill access cover
- ▶ Lube oil and cooling water drains piped to exterior of the enclosure

Security and Safety

- ▶ Control panel viewing window in a lockable access door
- ▶ Recessed emergency stop push button (red) mounted on enclosure exterior
- ▶ Cooling fan and battery charging alternator fully guarded
- ▶ Fuel fill and battery can only be reached via lockable access doors
- ▶ Exhaust silencing system totally enclosed for operator safety

Transportability

- ▶ Lifting points on baseframe

Optional Features

- ▶ Oil field type skid with dragging points



Modular Acoustic Enclosure



3Tech Corporate Limited
Unit 904, 9/F., Fu Hang Industrial Building,
1 Hok Yuen Street East, Hung Hom,
Kowloon, Hong Kong.
Tel: +852-2766 9787 Fax: +852-2766 9774
Email: sales@3tech.net

Headquarters: Hong Kong China: Beijing, Dongguan, Shenzhen, Xiamen
Overseas: Nigeria, D.R.Congo, Ghana, Kenya, Tanzania, Pakistan, USA, Canada, France

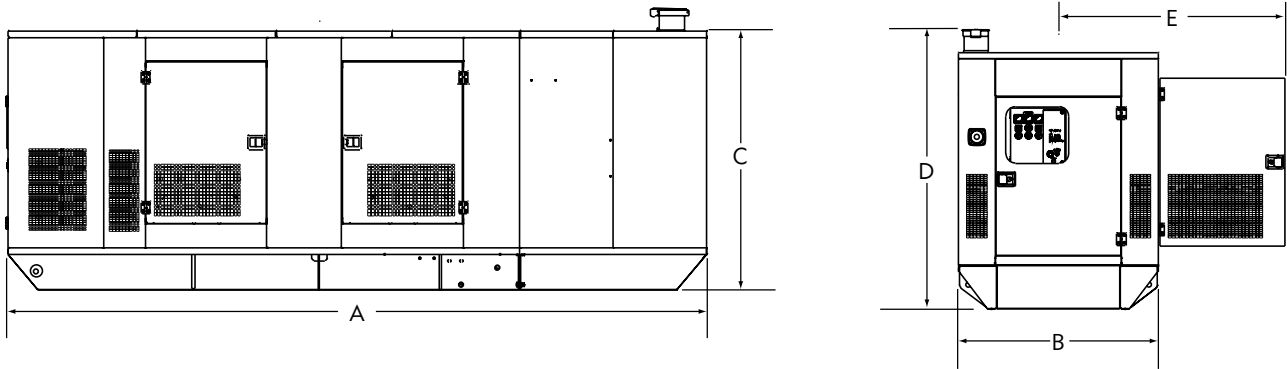


ISO 9001:2008
Certificate No. 194845



Sound Pressure Levels (dBA)

Generating Set Model	50 Hz						60 Hz					
	15m (50ft)		7m (23ft)		1m (3ft)		15m (50ft)		7m (23ft)		1m (3ft)	
	75% Load	100% Load	75% Load	100% Load	75% Load	100% Load	75% Load	100% Load	75% Load	100% Load	75% Load	100% Load
P550P2	63.9	65.0	69.9	71.0	79.5	81.0	-	-	-	-	-	-
P605E2	64.2	65.6	70.2	71.6	79.9	81.7	-	-	-	-	-	-
P550P5	70.0	70.5	76.0	76.5	83.6	84.3	-	-	-	-	-	-
P605E5	70.2	70.5	76.2	76.5	83.9	84.5	-	-	-	-	-	-
P600P5	70.2	70.5	76.2	76.5	83.8	84.4	-	-	-	-	-	-
P591P2	64.2	65.5	70.2	71.5	79.8	81.6	-	-	-	-	-	-
P650E2	64.6	66.1	70.6	72.1	80.3	82.4	-	-	-	-	-	-
P660E5	70.3	70.5	76.3	76.5	84.1	84.6	-	-	-	-	-	-
P635P5	70.3	70.5	76.3	76.5	84.0	84.5	-	-	-	-	-	-
P700E5	70.4	70.4	76.4	76.4	84.2	84.7	-	-	-	-	-	-
P675P5	-	-	-	-	-	-	69.0	70.0	75.0	76.0	84.2	85.2
P750E5	-	-	-	-	-	-	69.3	70.6	75.3	76.6	84.5	85.7



Dimensions and Weights

Generating Set Model	A: mm (in)	B: mm (in)	C: mm (in)	D: mm (in)	E: mm (in)*	Weight: kg (lb)	Fuel Tank Capacity litres (US gal)
P550P2	5880 (231)	1930 (76.0)	2200 (87.4)	2400 (94.5)	1973 (77.7)	6266 (13814)	1350 (357)
P605E2	5880 (231)	1930 (76.0)	2200 (87.4)	2400 (94.5)	1973 (77.7)	6266 (13814)	1350 (357)
P550P5	5880 (231)	1930 (76.0)	2200 (87.4)	2400 (94.5)	1973 (77.7)	6266 (13814)	1350 (357)
P605E5	5880 (231)	1930 (76.0)	2200 (87.4)	2400 (94.5)	1973 (77.7)	6266 (13814)	1350 (357)
P591P2	5880 (231)	1930 (76.0)	2200 (87.4)	2400 (94.5)	1973 (77.7)	6330 (13955)	1350 (357)
P650E2	5880 (231)	1930 (76.0)	2200 (87.4)	2400 (94.5)	1973 (77.7)	6330 (13955)	1350 (357)
P600P5	5880 (231)	1930 (76.0)	2200 (87.4)	2400 (94.5)	1973 (77.7)	6330 (13955)	1350 (357)
P660E5	5880 (231)	1930 (76.0)	2200 (87.4)	2400 (94.5)	1973 (77.7)	6330 (13955)	1350 (357)
P635P5	5880 (231)	1930 (76.0)	2200 (87.4)	2400 (94.5)	1973 (77.7)	6430 (14176)	1350 (357)
P700E5	5880 (231)	1930 (76.0)	2200 (87.4)	2400 (94.5)	1973 (77.7)	6430 (14176)	1350 (357)
P675P5	5880 (231)	1930 (76.0)	2200 (87.4)	2400 (94.5)	1973 (77.7)	6535 (14176)	1350 (357)
P750E5	5880 (231)	1930 (76.0)	2200 (87.4)	2400 (94.5)	1973 (77.7)	6535 (14176)	1350 (357)

Weight with lube oil, coolant, no fuel.

* Clearance required on both sides



3Tech Corporate Limited
 Unit 904, 9/F., Fu Hang Industrial Building,
 1 Hok Yuen Street East, Hung Hom,
 Kowloon, Hong Kong.
 Tel: +852-2766 9787 Fax: +852-2766 9774
 Email: sales@3tech.net

Headquarters: Hong Kong China: Beijing, Dongguan, Shenzhen, Xiamen
 Overseas: Nigeria, D.R.Congo, Ghana, Kenya, Tanzania, Pakistan, USA, Canada, France



ISO 9001:2008
 Certificate No. 194845

